



Proudly Presents Hall *Next Generation*

NG100 Mincer Mixers with i-DAS

Smart by Design, Built to Last



WITH NEXT GEN
I-DAS
INTELLIGENT
DISPLAY AND SAFETY



Shown here with Optional Foot Switch



V0226

www.hallfood.com.au

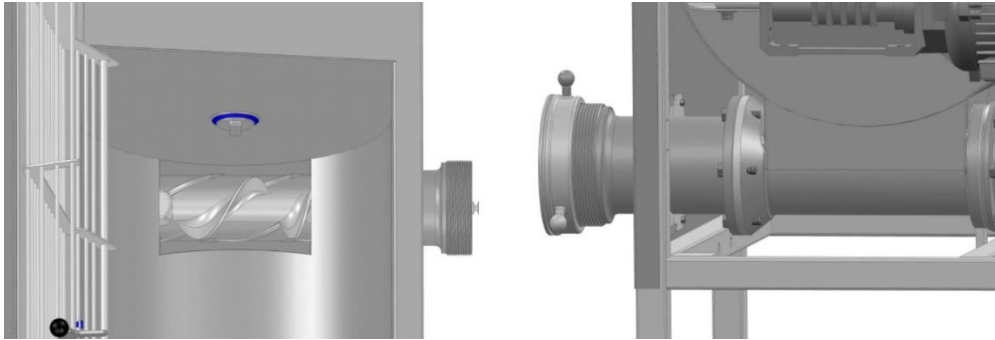


Page 1 of 7

Stronger built and bigger Tub Capacity

- Tub Material: 4mm thick Food Grade Stainless Steel for Tub Ends to make machine more rigid.
- Machine Finish: Premium Fully Polished finish (NOT Bead Blasted) inside the Tub and on exteriors for easy clean and better hygiene

New and improved Cutting Head System (with up to 60% higher throughput)



- Stainless Steel 2-part Mincing Head (Hopper and Barrel) with wider mouth gravity assisted Hopper/Chute with bigger and deeper helical rifling for higher throughput and Low Energy consumption.

NG100 Meat Mincer Mixer - Maximum Power Consumption 3.75kW - #42 Grinding Head										
Product Performance and Energy Consumption										
Product	13mm Hole Plate kg/h	kWh (unit) to process 1,000 kgs	10mm Hole Plate kg/h	kWh (unit) to process 1,000 kgs	8mm Hole Plate kg/h	kWh (unit) to process 1,000 kgs	5mm Hole Plate kg/h	kWh (unit) to process 1,000 kgs	3mm Hole Plate kg/h	kWh (unit) to process 1,000 kgs
Primary Cut	2,250	1.67	1,900	1.97	1,700	2.21				
Secondary Cut							1,900	1.97	1,600	2.34

Note: Energy efficiency in Meat Mincing / Grinding is essentially a measure of Energy Consumption of Equipment per hour divided by its Throughput per hour. Table provides kWh (unit of electricity) figures with Equipment running at maximum load. There are lots of factors that contributes to make one Grinder more Energy efficient in comparison to others. Optimal Gearbox ratio, motor size, RPM and resultant Torque make a direct impact on energy efficiency. Other important factors are design of Worm/Augur, Barrel and Grinding system and a combined effectiveness of all these, to be able to process/push the meat to increase throughput.

Having a bigger/oversize Gearbox and Bigger Motor is NOT always good. Bigger than required Motor and Gearbox result in higher energy consumption, higher heat generation, more wear and tear and damage in case of an accident, higher cost to maintain and repair, bigger physical footprint of machine resulting in more space requirement.

- #42 size (130mm) easily Replaceable Barrel.
- Mincing Worm (Feed screw) is made of solid Stainless Steel, Mirror Polished for easy clean efficient product flow.
- Barrel is replaceable and it can also be removed to allow machine to pass through narrow doorways during installation, if required.
- Stainless Steel Lock Rings with external groove to quick and easy fit Splatter Guard
- Clean Cut: minimal rise in product temperature provides better mince definition and longer shelf life of product

New and improved Mixing System



- Mixing Paddle – Stronger and more efficient in mixing and feeding the product to hopper for mincing. Easy to remove
- Mixing Paddle Bearing: New and Improved Heavy-Duty Paddle Bearing
- Mixing Paddle Drive Shaft Seal: New and Improved custom designed seal for adhesive free installation i.e. quick and easier replacement

Cutting edge Hall NG i-DAS (Intelligent Display and Safety) System



- 4.5" full Colour LCD Screen
- Graphic display with animation for a more intuitive usage and Information
- Automatic reciprocating cycle Mixing with adjustable Timer for better mixing, consistent and efficient operation. Displays time remaining with beep to notify end of cycle
- Status Monitoring for all Safety Interlock Switches, Emergency Stop Switch, Foot Switch and Contactors
- Electric Fault Detection, Identification and Information system – in the rare event of an electric fault, i-DAS systems provide Error message for quicker troubleshooting and identification of any faulty electric part prior to calling service technician to reduce downtime and multiple visits.

Safety – enhanced safety features for operator safety



- Electrical Safety
 - Category 3 compliant safety system



- 24v Signal circuitry for extra safety
- Built in Motor Overload protection
- Isolator Switch
- Emergency Stop Switch
- Lid
 - Grill Type Lid for easy viewing and adding ingredients safely without having to stop process
 - Lid designed to be operated by two hands for increased operator safety
 - Stable gravity assisted free-standing lid with minimal parts i.e. zero maintenance and easy to clean
 - Flat Top Lid
- Barrel Guard (optional) with Safety Interlock switch: Order with new machine or easy to retrofit in field - for safe operation while using plates with hole sizes larger than 8mm
- Castors: 4 Heavy Duty Stainless Steel Lockable Swivel Castors

Standard Inclusions

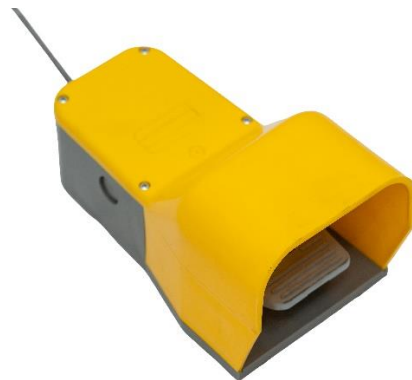


- 1 x 3mm, 5mm, 8mm Mincing Plate
- 1 x Mincing Knife with Blade/Insert
- 1 x Spare Mincing Blade/Insert
- 1 x Cleaning Brush, 1 x Worm Puller
- 1 x Splatter Guard, 1 x Spanner
- 1 x Spare Worm Stud
- 1 x User Manual

Optional extras



Barrel Guard



Foot Switch

- Single Phase 230V (optional): Machine can be built with Single Phase motors in case 3 phase power is not available on site or for a mobile butcher
- Barrel Guard (optional) with Safety Interlock switch: Order with new machine or easy to retrofit in field - for safe operation while using mincing plates with hole sizes larger than 8mm
- Foot Switch: All NG Series machines are fitted with footswitch socket in front of machine. "Plug and Play" foot switch is available
- Gristle Extraction System: available
- Mincing Plates with various hole size: available
- Spider Plate to empty the tub after mixing without further mincing: available
- Change in height of machine at the time of order: available
- Heavy-Duty Stainless-Steel Levelling Pads instead of Swivel castors: available

Specifications

- NG100-3P – 3.0kW Mince Gearmotor and 0.75kW Mix Gearmotor, 3 phase 415V
- NG100-1P - 3.0kW Mince Gearmotor and 0.75kW Mix Gearmotor, Single phase 230V

